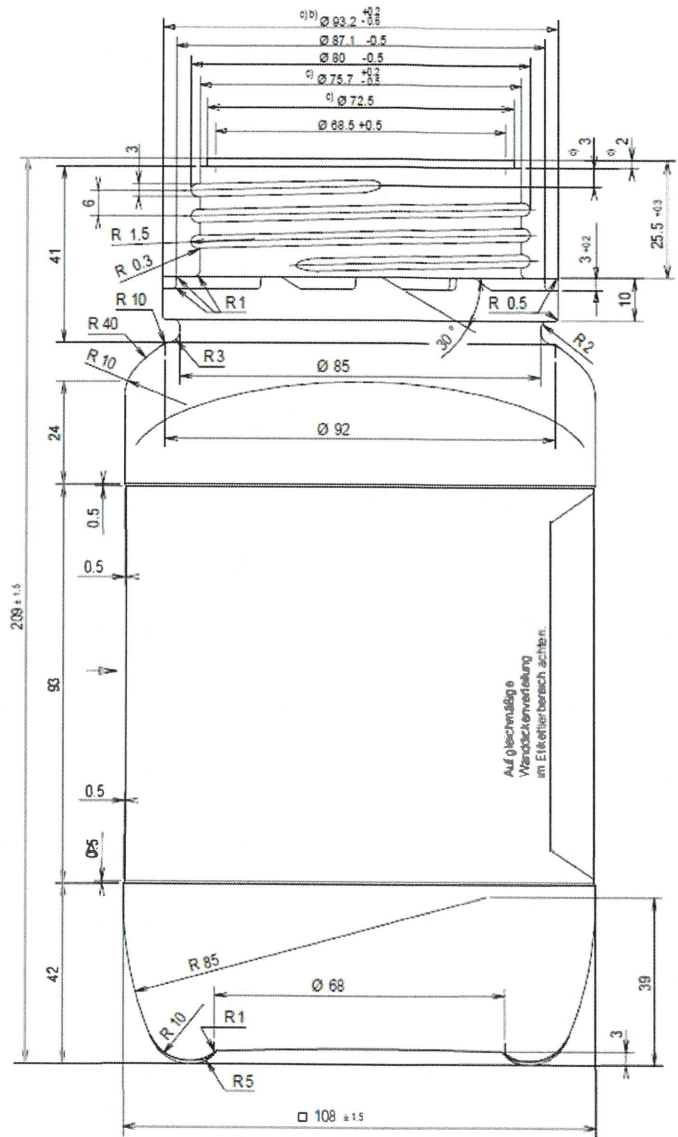
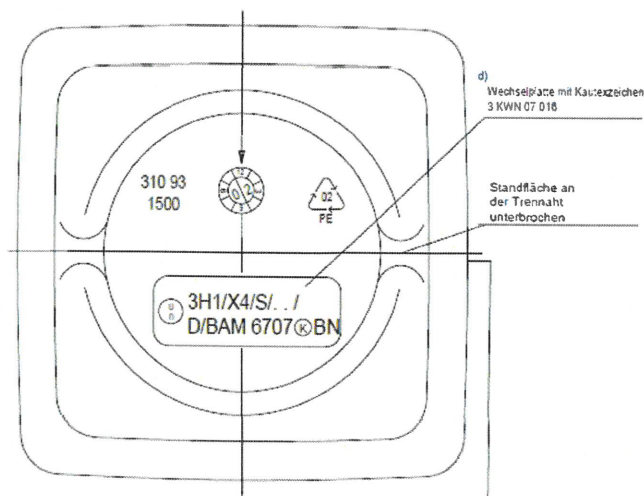


item #: 3211B33-B

Measurements Expressed in Millimeters



RECEIVED
MAY 07 2020



BerlinPackaging.com